



OWNER'S MANUAL

COMBO 121 LITE

1. IMPORTANT SAFETY INSTRUCTIONS

- 1) Read these instructions;
- 2) Keep these instructions;
- 3) Heed all warnings;
- 4) Follow all instructions;
- 5) Do not use this apparatus near water;
- 6) Clean only with dry cloth;
- 7) Do not block any ventilation openings. Install in accordance with the manufacturer's instructions;
- 8) Do not install near any heat sources such as radiators, heat registers, stoves, or other apparatus (including amplifiers) that produce heat;
- 9) Do not defeat the safety purpose of the polarized or ground-type plug. A polarized plug has two blades with one wider than the other. A grounding type plug has two blades and a third grounding prong. The wide blade or the third prong are provided for your safety. If the provided plug does not fit into your outlet, consult an electrician for replacement of the obsolete outlet;
- 10) Protect the power cord from being walked on or pinched, particularly at plugs, convenience receptacles, and the point where they exit from the apparatus;
- 11) Only use attachments/accessories specified by the manufacturer;
- 12) Unplug this apparatus during lightning storms or when unused for long periods of time;
- 13) Refer all servicing to qualified service personnel. Servicing is required when the apparatus has been damaged in any way, such as when the power-supply cord or plug is damaged, liquid has been spilled or objects have fallen into the apparatus, or when the apparatus has been exposed to rain or moisture, does not operate normally, or has been dropped;
- 14) "Warning: to reduce the risk of fire or electric shock, do not expose this apparatus to rain or moisture; and objects filled with liquids, such as vases, should not be placed on this apparatus";
- 15) The socket outlet shall be installed near the equipment and shall be easily accessible;
- 16) The power cord must be unplugged prior to servicing.

1. PRÉCAUTIONS D'EMPLOI

- 1) Lire ces instructions;
- 2) Conserver ces instructions;
- 3) Suivre tous les conseils d'utilisations;
- 4) Suivre toutes les instructions;
- 5) Ne pas utiliser cet appareil au bord de l'eau;
- 6) Nettoyer uniquement avec un chiffon humide;
- 7) Ne pas bloquer le système de ventilation. Installer conformément aux instructions du fabricant;
- 8) Ne pas installer l'appareil près d'une source de chaleur tel qu'un radiateur, un fourneau, ou bien un autre appareil qui produit de la chaleur;
- 9) Ne pas modifier le système de sécurité de la fiche polarisée ou de la fiche pour les prises de terre. Une fiche polarisée a deux broches, l'une étant plus distante de l'autre. Une fiche pour prise de terre a deux broches et une pointe pour la masse. La broche plus distante et la pointe pour la masse ont été installées pour votre sécurité. Si la fiche fournie ne rentre pas dans votre prise de courant consulter un électricien pour la substitution;
- 10) Protéger le cordon d'alimentation afin qu'il ne soit pas piétiné ou écrasé tout particulièrement au niveau des fiches, des prises de courant femelles, et des parties qui sortent de l'appareil;
- 11) Utiliser uniquement les accessoires recommandés par le fabricant;
- 12) Ne pas brancher l'appareil en cas d'orage accompagné d'éclairs. Le débrancher en cas de non utilisation prolongée;
- 13) S'adresser à un service assistance agréé si l'appareil a subi des dommages, si le cordon d'alimentation ou la fiche a été endommagé, si un liquide a été renversé sur l'appareil ou bien si un objet est tombé dans l'appareil, si ce dernier a été exposé à la pluie ou à l'humidité, s'il ne fonctionne pas correctement ou s'il est tombé;
- 14) "Avertissement: pour réduire le risque du feu ou de décharge électrique, n'exposez pas cet appareil à la pluie ou l'humidité et les objets remplis de liquides; tels que des vases, ne devraient pas être placés sur cet appareil";
- 15) La prise de courant doit être installée près de l'appareil et doit être facilement accessible;
- 16) La fiche principale doit être débranchée avant toute opération d'entretien.

MORE INFORMATION

For warranty and service information, please contact your local Markbass distributor (contact information available at www.markbass.it). For more technical information, please visit us at www.markbass.it and fill out the form on the Support page. We hope you enjoy your power amp and use it to make great music!



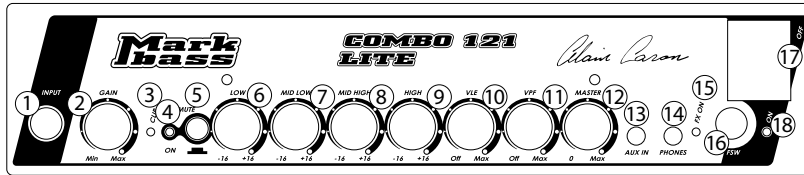
"The Lightning Flash with arrowhead symbol within an equilateral triangle, is intended to alert the user to the presence of uninsulated "dangerous voltage" within the product enclosure that may be of sufficient magnitude to constitute a risk of shock to persons."



"The exclamation point within an equilateral triangle is intended to alert the user to the presence of important operating and maintenance (servicing) instructions in the literature accompanying the product."

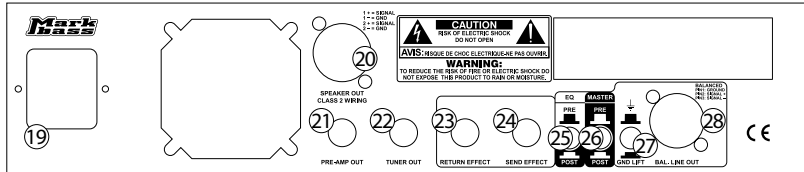


2. COMBO 121 LITE - FRONT PANEL



- 1 UNBALANCED 1/4" JACK INPUT
- 2 GAIN
- 3 CLIP LED
- 4 MUTE ON LED
- 5 MUTE CONTROL SWITCH
- 6 LOW EQUALIZATION CONTROL KNOB
- 7 MID LOW EQUALIZATION CONTROL KNOB
- 8 MID HIGH EQUALIZATION CONTROL KNOB
- 9 HIGH EQUALIZATION CONTROL KNOB
- 10 VLE FILTER LEVEL CONTROL KNOB
- 11 VPF FILTER LEVEL CONTROL KNOB
- 12 MASTER VOLUME LEVEL KNOB
- 13 AUX IN 3/8" INPUT JACK
- 14 PHONES 3/8" OUTPUT JACK
- 15 FX ON LED
- 16 FOOTSWITCH CONTROLLER 1/4" INPUT JACK
- 17 MAIN ON/OFF SWITCH
- 18 ON LED

3. COMBO 121LITE - REAR PANEL



- 19 AC POWER SOCKET
- 20 SPEAKER OUT SPEAKON / 1/4" COMBO JACK
- 21 PREAMP OUT 1/4" JACK
- 22 TUNER OUT 1/4" JACK
- 23 RETURN EFFECT 1/4" JACK
- 24 SEND EFFECT 1/4" JACK
- 25 PRE/POST EQUALIZATION CONTROL SWITCH
- 26 PRE/POST MASTER CONTROL SWITCH
- 27 GROUND LIFT CONTROL SWITCH
- 28 LINE OUT XLR

4. COMBO 121 LITE HEAD - TECHNICAL DETAILS

INPUTS	
INPUT	Impedance 1 Mohm; maximum voltage 10 Vpp
RETURN	Impedance 33 Kohm; max 10 Vpp
AUX	Impedance 10 Kohm; max 4 Vpp
CONTROLS	
GAIN	Range -60 to +23 dB
LINE OUT	GND Lift, Pre/Post EQ, Pre/Post Master (Pre EQ is not possible in combination with Post Master)
EQUALIZATION	
LOW	center frequency 40 Hz; level: ± 16 dB
MID/LOW	center frequency 360 Hz; level: ± 16 dB
MID/HIGH	center frequency 800 Hz; level: ± 16 dB
HIGH	center frequency 10 kHz; level: ± 16 dB
VLE	max cut range: 250 Hz - 20 kHz
VPF	center frequency 380 Hz (cut)
MUTE	
FX Loop BYPASS	ON/OFF by footswitch or front panel switch ON/OFF by footswitch
OUTPUTS	
LINE OUT	Balanced, max voltage 20 Vpp
SEND	unbalanced, max voltage 20 Vpp (pre-EQ)
TUNER OUT	unbalanced, max voltage 2 Vpp
PREAMP OUT	unbalanced, maximum level 20 Vpp
PHONES	600 ohm, maximum level 10 Vpp
OTHER	
ACTIVE CROSSOVER FREQUENCY	3,5 kHz
AMPLIFIER POWER	500W digital (woofer) + 100W analog (tweeter)
WOOFER SIZE	12"
TWEETER VOICE COIL	1.25"
BASS PORT	Rear
FREQUENCY RESPONSE	45 Hz to 18 kHz

POWER REQUIREMENT

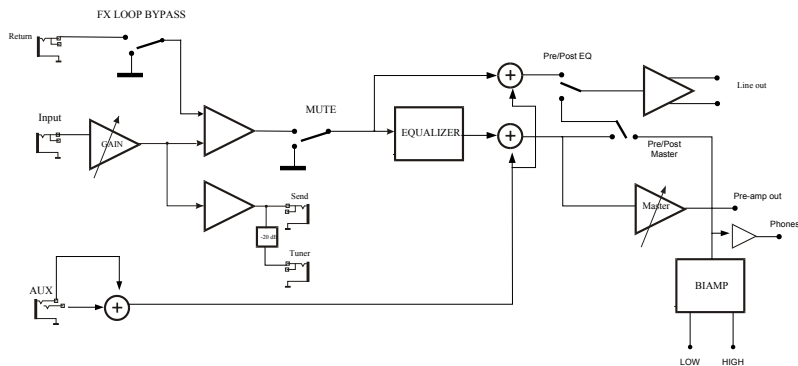
240V or 230V or 120V or 100V
(Version factory preset inside the equipment)

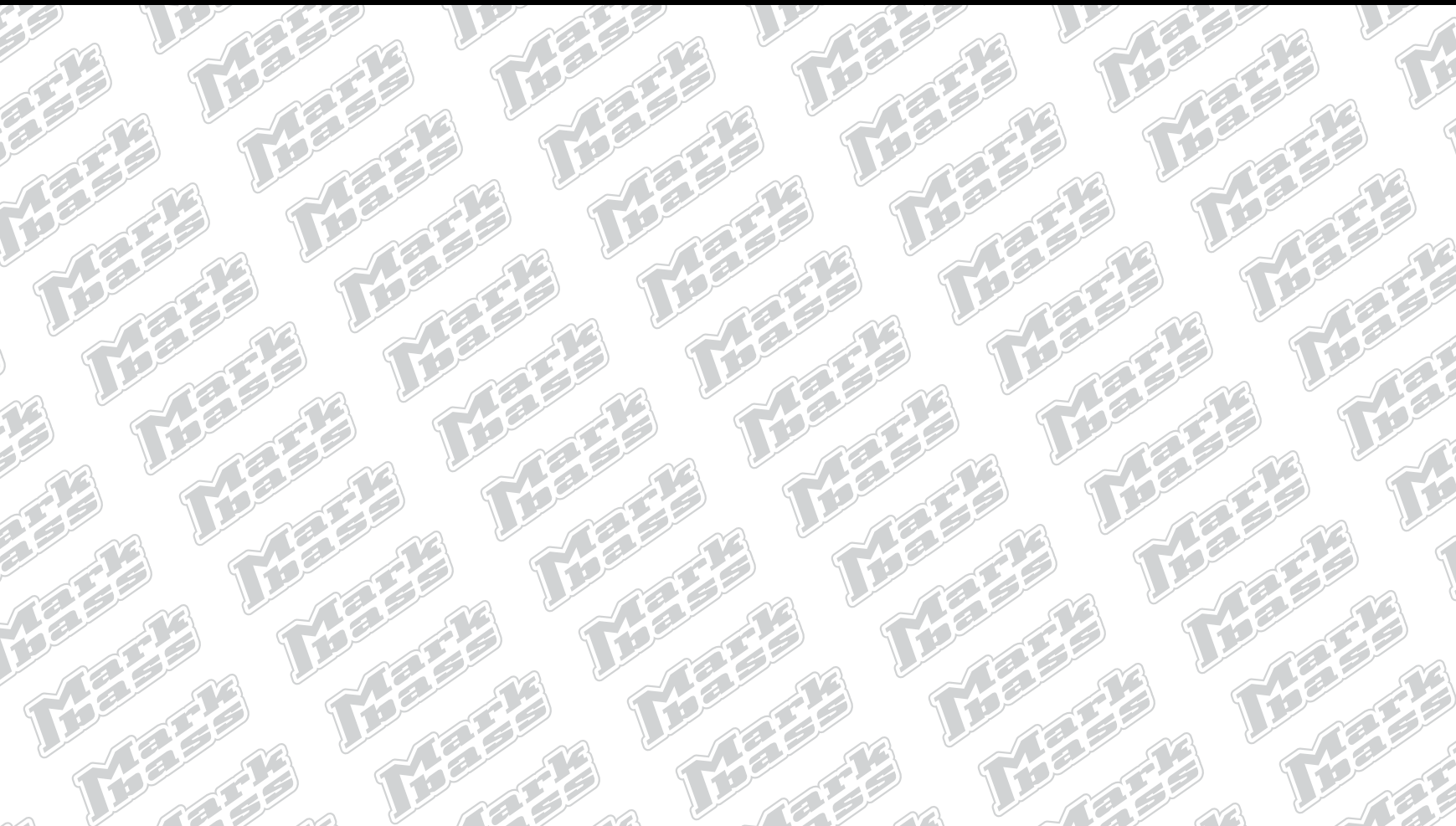
Markbass apparatuses are manufactured to be sold and used in the country of purchase, and are factory preset to that country's voltage. Due to homologation issues, the voltage may not be changed.

FUSE

EUROPE	6.3A 250V T 5x20
AUSTRALIA/UK	6.3A 250V T 5x20
USA/CANADA	8A 250V T 5x20
JAPAN	10A 250V T 5x20

5. COMBO 121LITE HEAD - BLOCK DIAGRAM







Mark Bass



Product specifications are subject to change without notice



Italy - 66020 San Giovanni Teatino (Ch) - Via Po, 52 - Tel. +39 085 446 3755 - Fax +39 085 440 7764 -
www.markbass.it - info@markbass.it